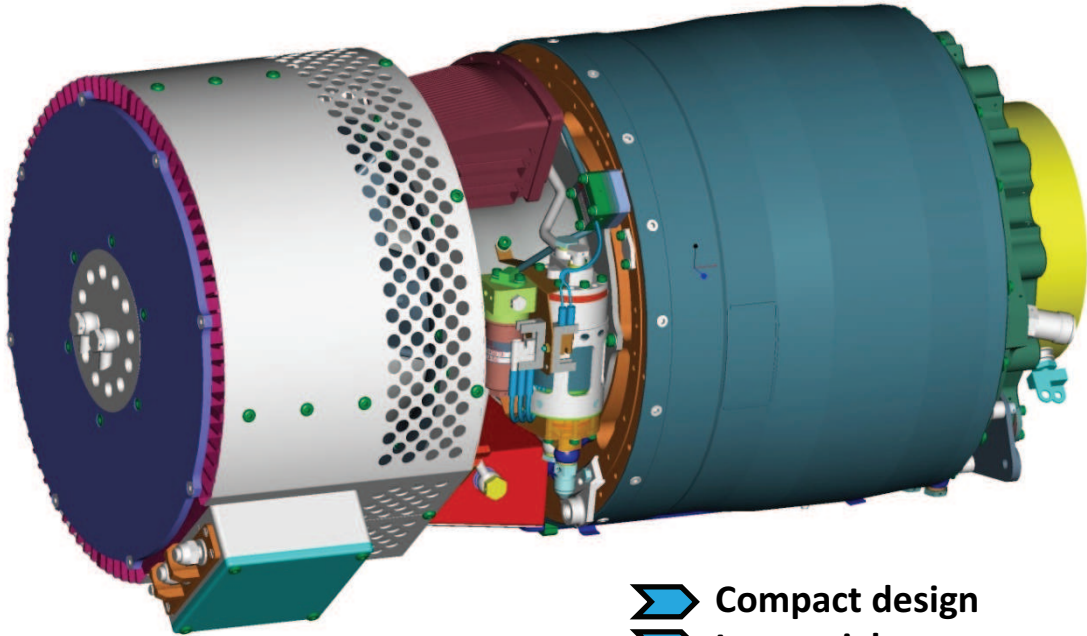







Electric Auxiliary Power Unit TJ 10

El. energy source 28,4 V_{DC} – 9,25 kW

 **PBS** VELKÁ BÍTEŠ a.s.



-  Compact design
-  Low weight
-  Integrated AC/DC converter

Main parameters:

Permanent power	9,25 kW
Constant current	326 A
Voltage	28,4 V _{DC}
Voltage regulation and quality	MIL STD 704F
Speed	49 500 rpm
Temperature range	-55 °C ÷ +60 °C
Altitude	0 ÷ 10 000 m
Fuel	JET A1
Fuel consumption	18,8 kg/h (at nominal power and ISA conditions)
Oil	MIL-L-23699
Total weight	27 kg (19 kg turbo engine, 7 kg converter, 1 kg accessories)

PBS Velká Bíteš, a.s. - Aircraft technique division

Vlkovská 279, 595 12 Velká Bíteš Czech Republic

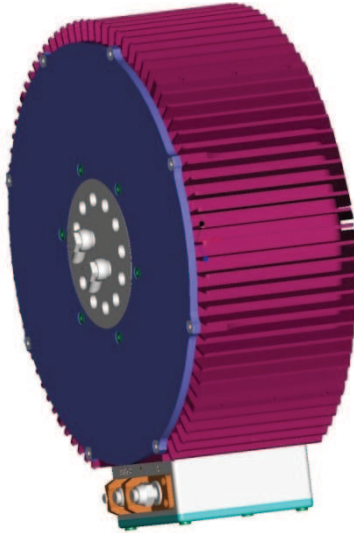
Http://www.pbsvb.cz e-mail: sales@pbsvb.cz Tel: +420 566 822 304 Fax: +420 566 822 372



Electric Auxiliary Power Unit TJ 10

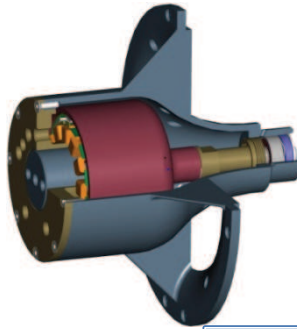
Electronic AC/DC converter

- Input voltage $3 \times 50 \pm 70 V_{AC}$
- Output voltage $28,4 V_{DC}$
- Output current 326 A
- Air cooled



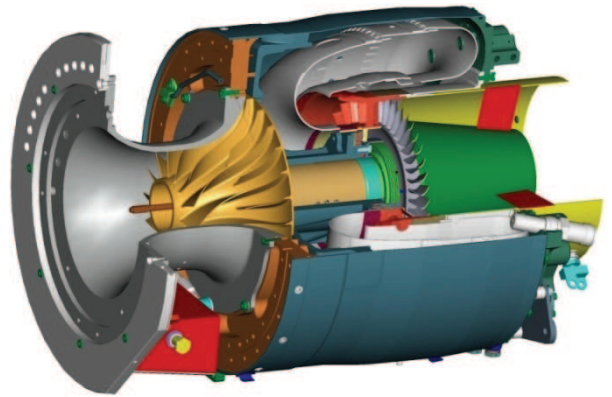
AC generator

- Synchronous generator
- PM exciting
- $3 \times 50 V_{AC}$
- 3300 Hz
- Speed 49 500 rpm
- Air+fuel cooling



Engine

- Gas turbine
- Kerosin fuel
- Speed 49 500 rpm

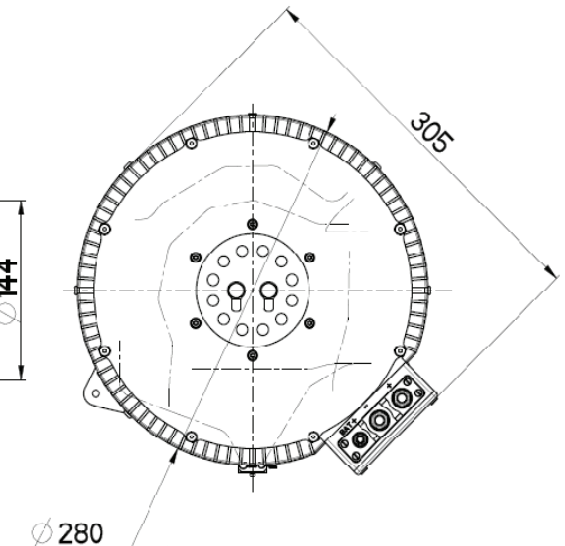
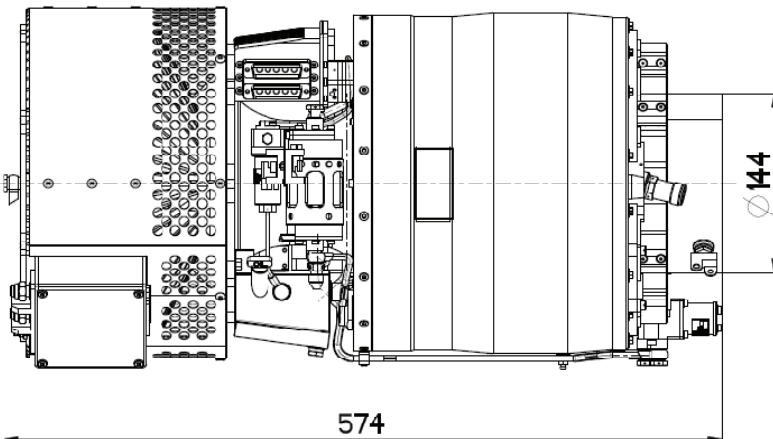
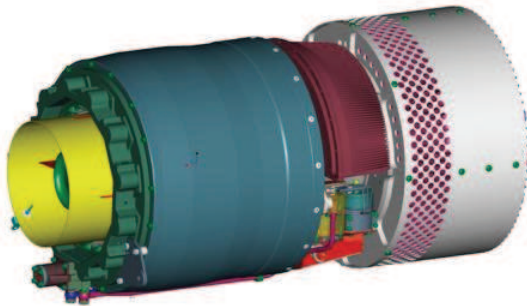


Protections

- Over-/under voltage
- Overcurrent protection
- Temperature of electronics
- Exhaust gas temperature
- Turbine speed

Controlling

- CAN or discrete controlling



PBS Velká Bíteš, a.s. - Aircraft technique division

Vlkovská 279, 595 12 Velká Bíteš Czech Republic [Http://www.pbsvb.cz](http://www.pbsvb.cz)
e-mail: sales@pbsvb.cz Tel: +420 566 822 304 Fax: +420 566 822 372

